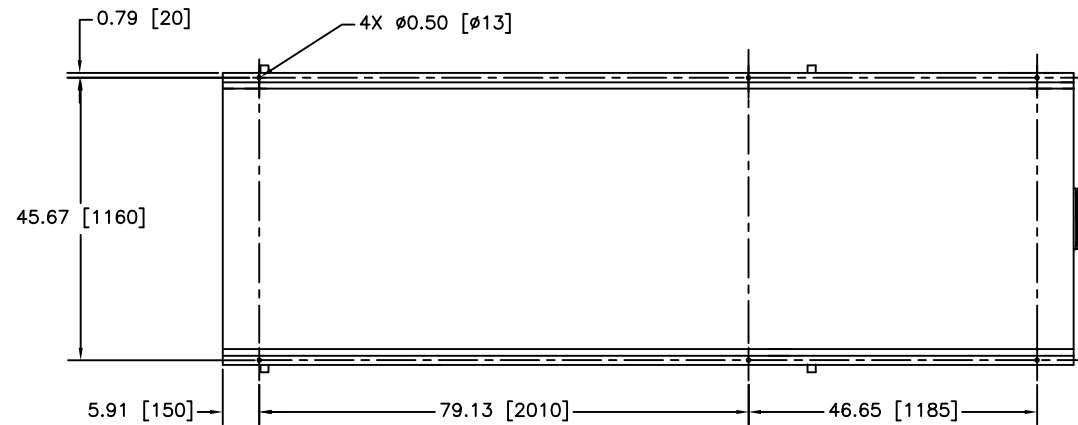
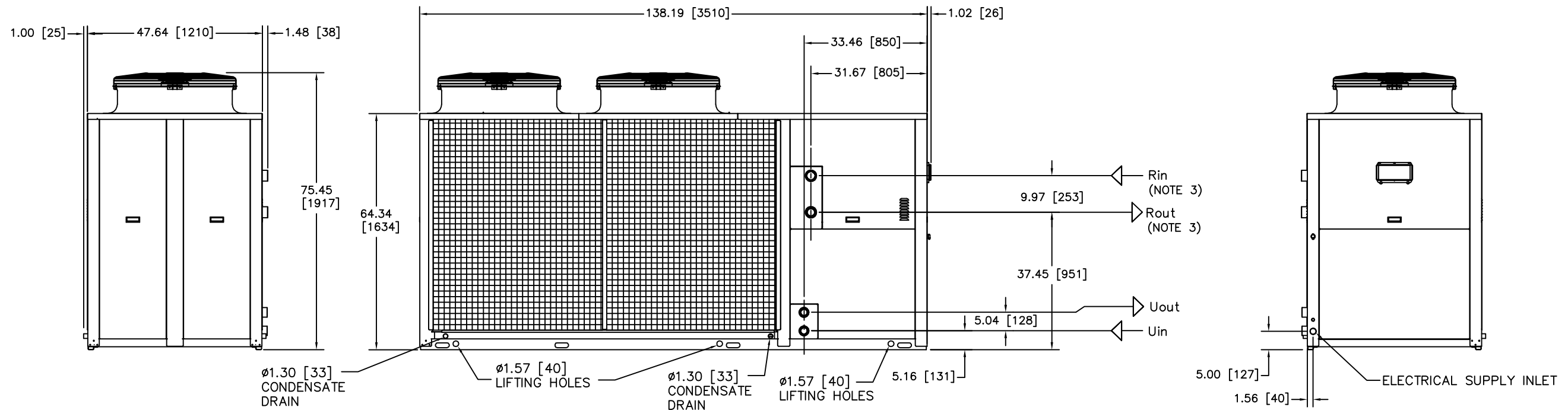
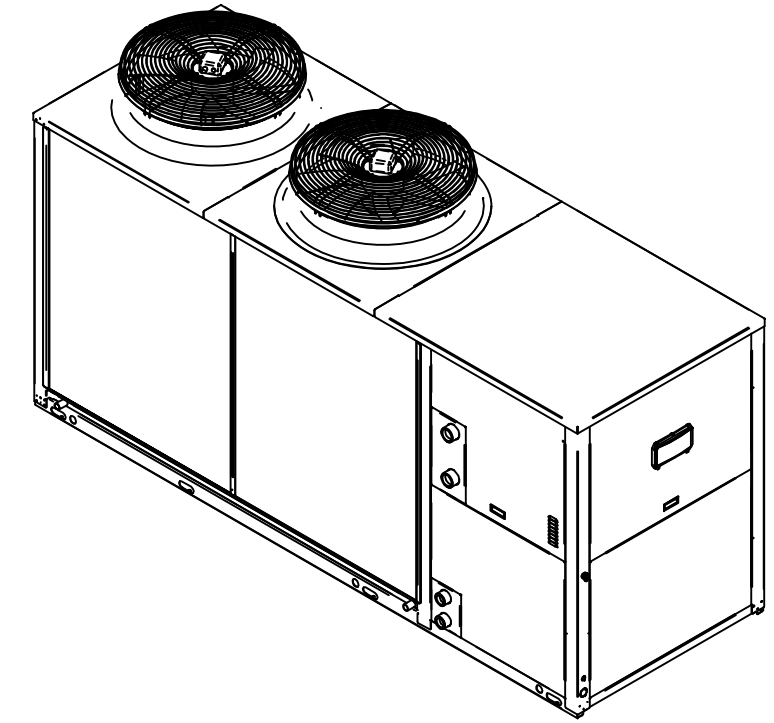


CLEARANCES



ANCHOR BOLT LOCATIONS

MODEL #	USER WATER IN Uin (NPTF)	USER WATER OUT Uout(NPTF)	RECOVERY WATER IN Sin (NPTF)	RECOVERY WATER OUT Sout(NPTF)	WEIGHT (Lb/Kg)	OPERATING WEIGHT (Lb/Kg)
350	1-1/2"	1-1/2"	1-1/2"	1-1/2"	2403/1090	2418/1097
350 W/CR	1-1/2"	1-1/2"	1-1/2"	1-1/2"	2467/1119	2498/1133
500	1-1/2"	1-1/2"	2"	2"	2762/1253	2782/1262
500 W/CR	1-1/2"	1-1/2"	2"	2"	2842/1289	2884/1308

- NOTES:  
 1) ALL DIMENSIONS SHOWN ARE IN INCHES (MILLIMETERS).  
 2) LYNCE RESERVES THE RIGHT TO MODIFY DIMENSIONS WITHOUT PRIOR NOTICE.  
 3) ONLY FOR RECOVERY VERSION.



AEGIS A 350-500  
 DIMENSIONAL/CLEARANCE DRAWING

DWN.BY K.S. DATE 092120  
 SCALE NTS  
 APPD. \_\_\_\_\_ DATE \_\_\_\_\_

AP-L-1059

REV.  
 A