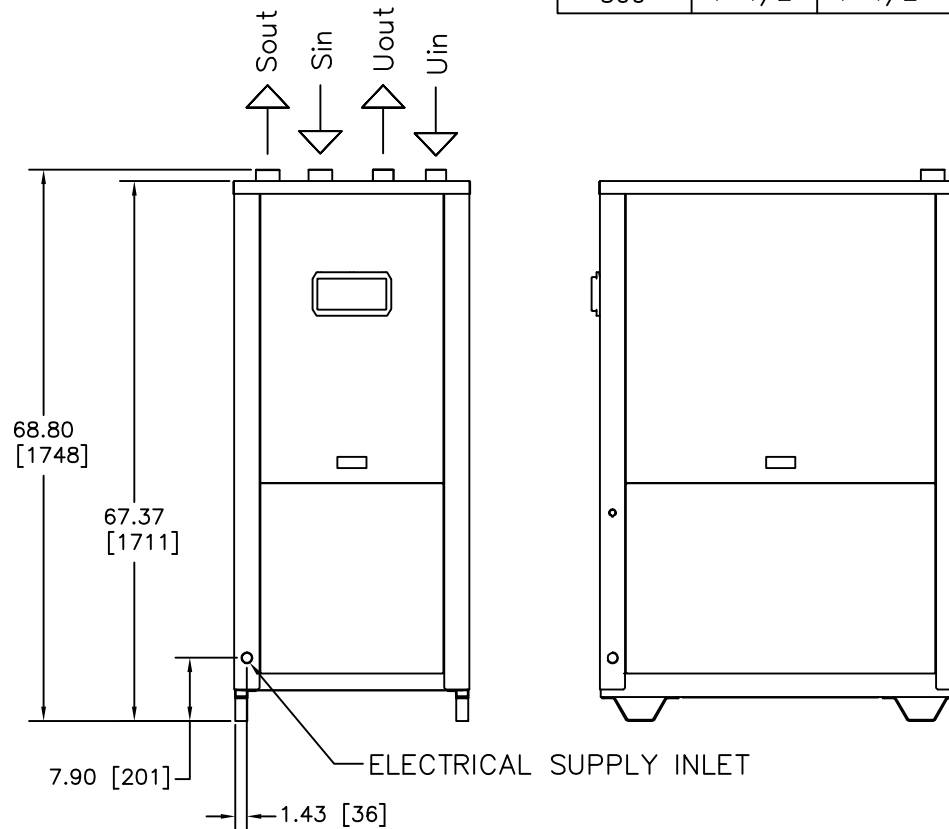
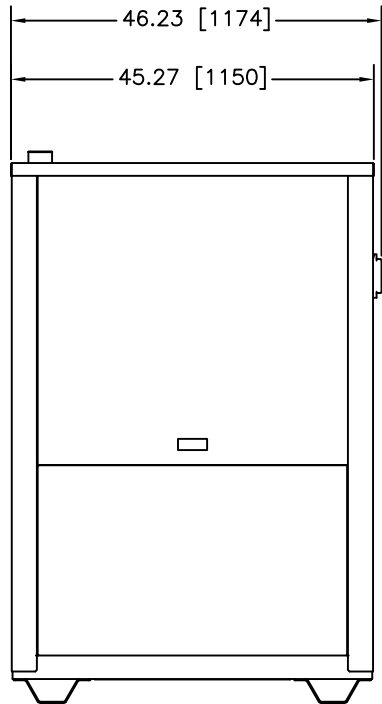


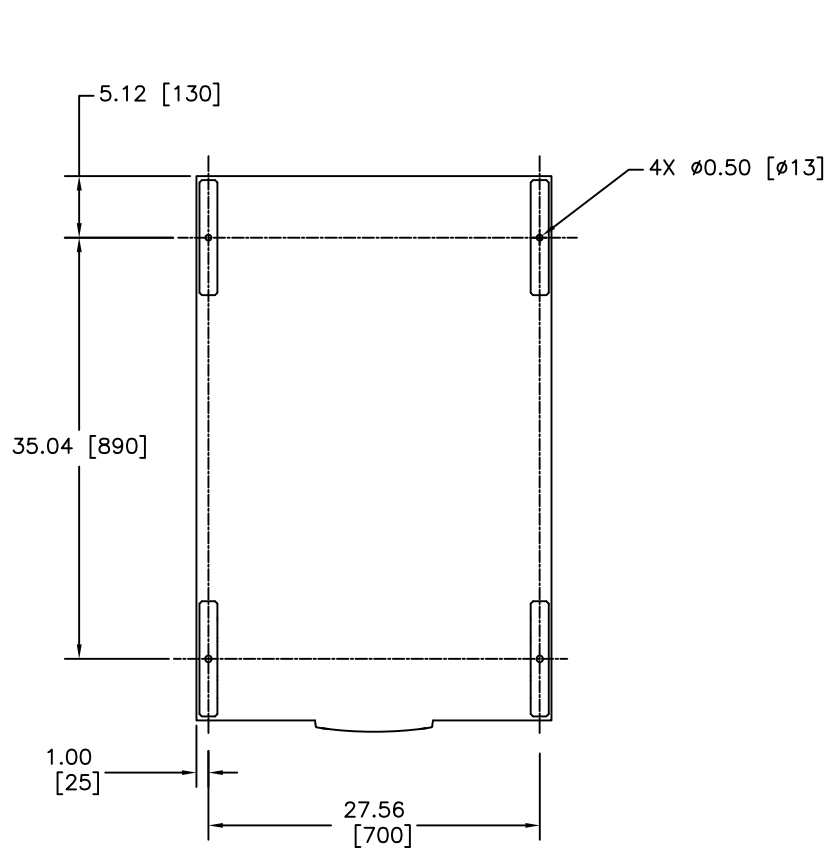
MODEL #	USER WATER IN Uin (NPTF)	USER WATER OUT Uout(NPTF)	SOURCE WATER IN Sin (NPTF)	SOURCE WATER OUT Sout(NPTF)	WEIGHT (Lb/Kg)	OPERATING WEIGHT (Lb/Kg)
250	1-1/2"	1-1/2"	1-1/2"	1-1/2"	1188/538,8	1208/548
350	1-1/2"	1-1/2"	1-1/2"	1-1/2"	1282/581,6	1307/593
500	1-1/2"	1-1/2"	2"	2"	1336/605,9	1371/622



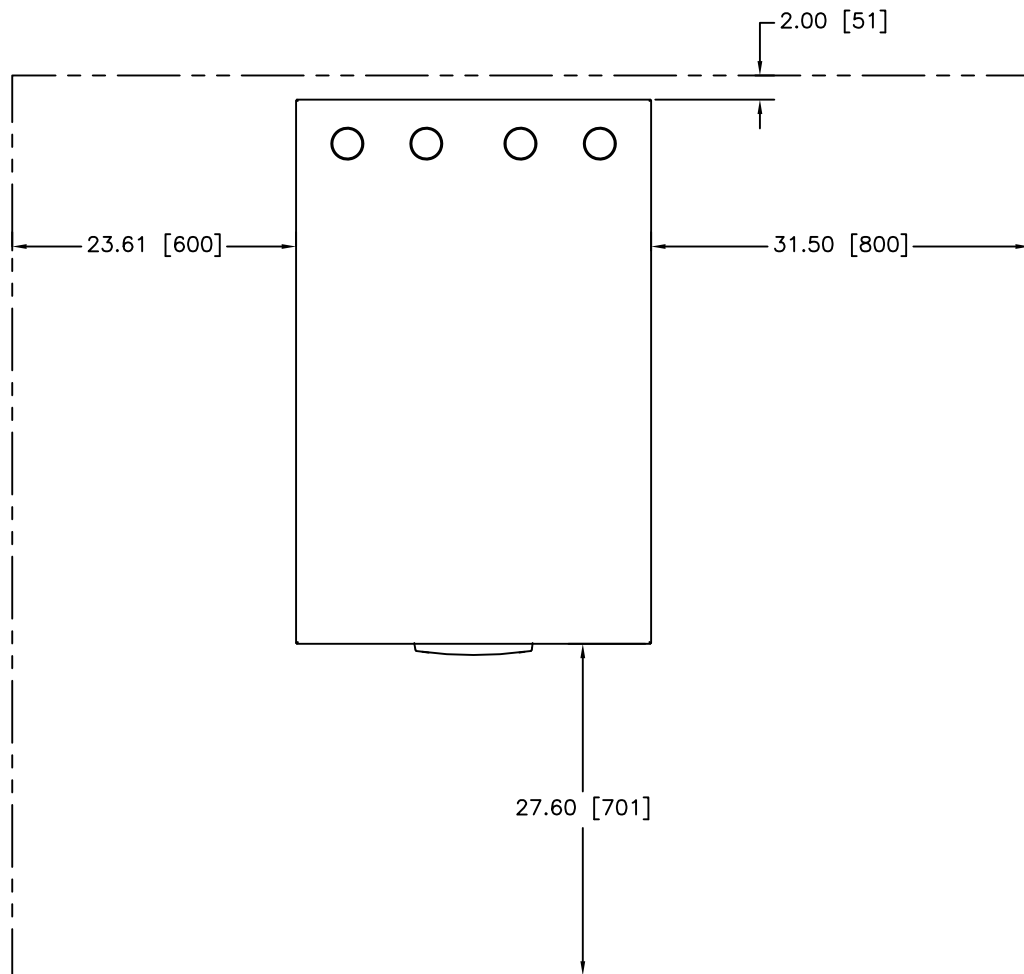
NOTES:

- 1) ALL DIMENSIONS SHOWN ARE IN INCHES (MILLIMETERS).
- 2) LYNCS RESERVES THE RIGHT TO MODIFY DIMENSIONS WITHOUT PRIOR NOTICE.

		Blauvelt, NY Fort Worth, TX
AEGIS W 250-500 DIMENSIONAL/CLEARANCE DRAWING		
DWN.BY <u>K.S.</u> DATE <u>092120</u> SCALE <u>NTS</u> APPD. _____ DATE _____	AP-L-1058 (SHEET 1 OF 2)	REV. A



ANCHOR BOLT LOCATIONS



CLEARANCES



Blauvelt, NY
Fort Worth, TX

AEGIS W 250-500
DIMENSIONAL/CLEARANCE DRAWING

DWN. BY K.S. DATE 092120
SCALE NTS
APPD. _____ DATE _____

AP-L-1058
(SHEET 2 OF 2)

REV.
A