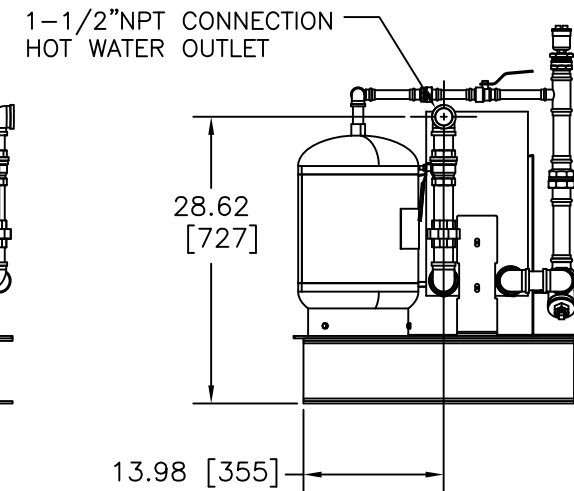
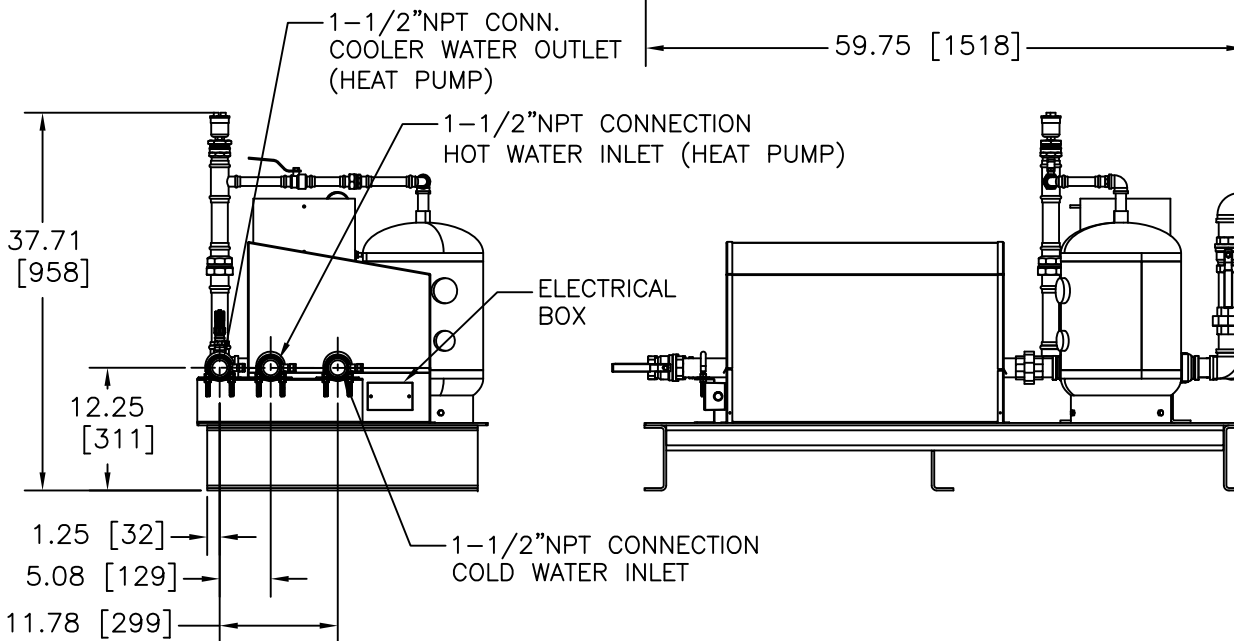
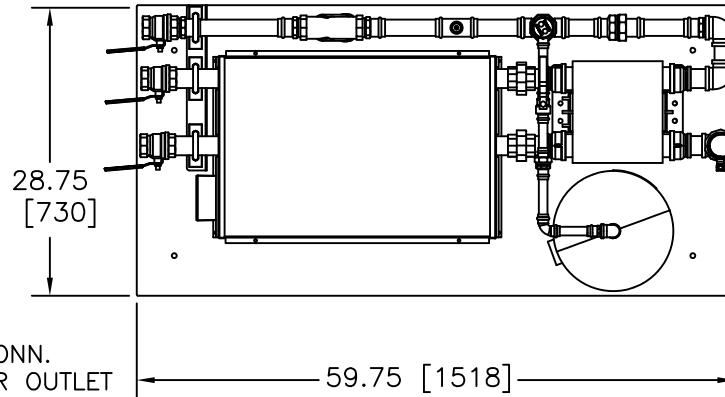
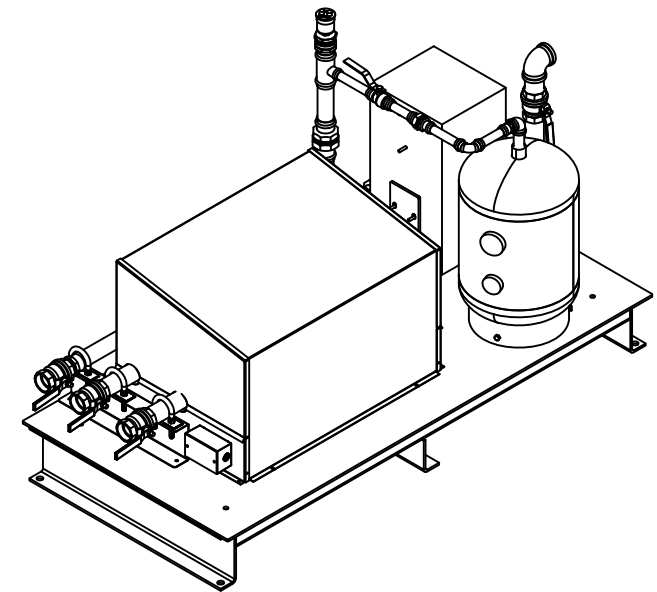


TECHNICAL DATA	
WEIGHT (Lb/Kg)	556/252
HX SURFACE AREA (ft ² /m ²)	112.8/10.48
PRESSURE RATING (PSI/KPa)	150/15,200
ELECTRICAL DATA ON PUMP	115VAC 50/60Hz W/ 0.2-1.3A 0-10 VDC (SHUTTING OFF AT 1.6VDC) AVAILABLE HEAD: 15FT OF HEAD



Blauvelt, NY
Fort Worth, TX

AEGIS HEAT EXCHANGER PACKAGE
DIMENSIONAL/CLEARANCE DRAWING

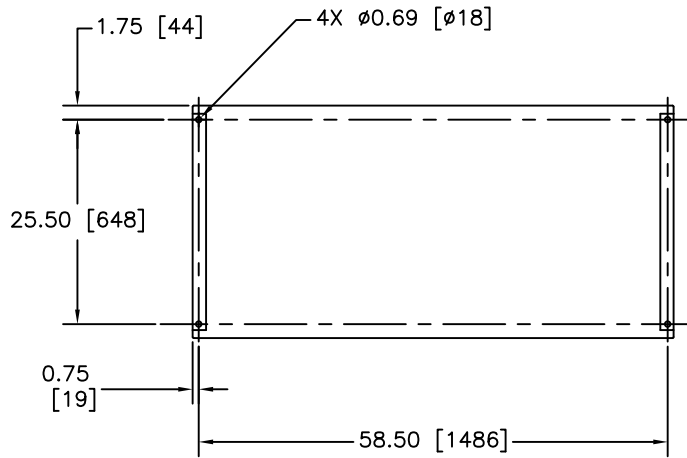
DWN. BY K.S. DATE 032521
SCALE NTS
APPD. _____ DATE _____

AP-L-1062
(SHEET 1 OF 2)

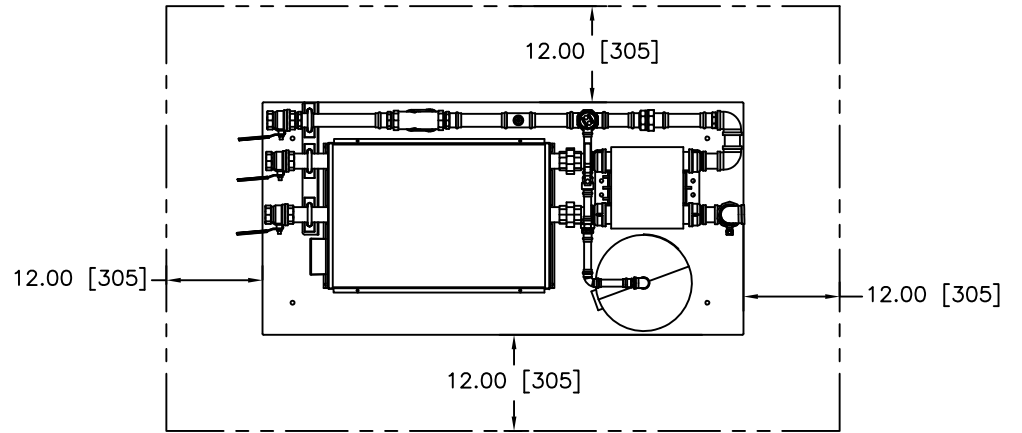
REV.
A

NOTES:

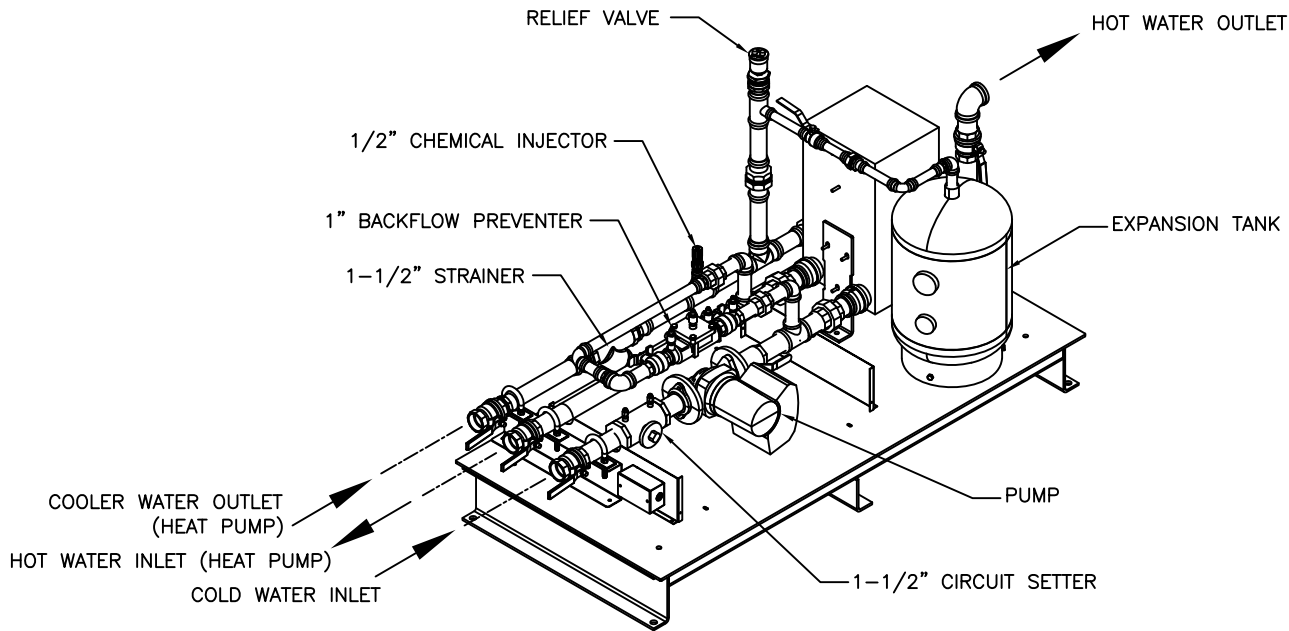
- 1) ALL DIMENSIONS SHOWN ARE IN INCHES (MILLIMETERS).
- 2) LYNC RESERVES THE RIGHT TO MODIFY DIMENSIONS WITHOUT PRIOR NOTICE.



ANCHOR BOLT LOCATIONS



RECOMMENDED CLEARANCE



COVER REMOVED FOR CLARITY



AEGIS HEAT EXCHANGER PACKAGE
DIMENSIONAL/CLEARANCE DRAWING

DWN. BY K.S. DATE 032521
SCALE NTS
APPD. _____ DATE _____

AP-L-1062
(SHEET 2 OF 2)

REV.
A