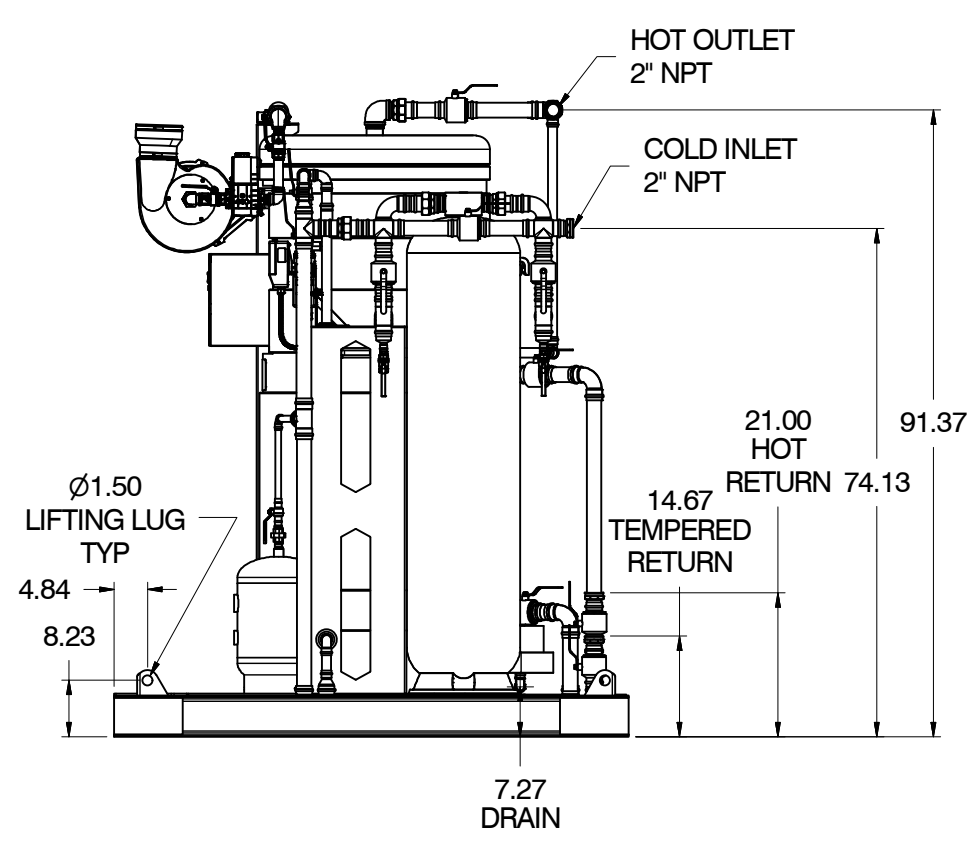
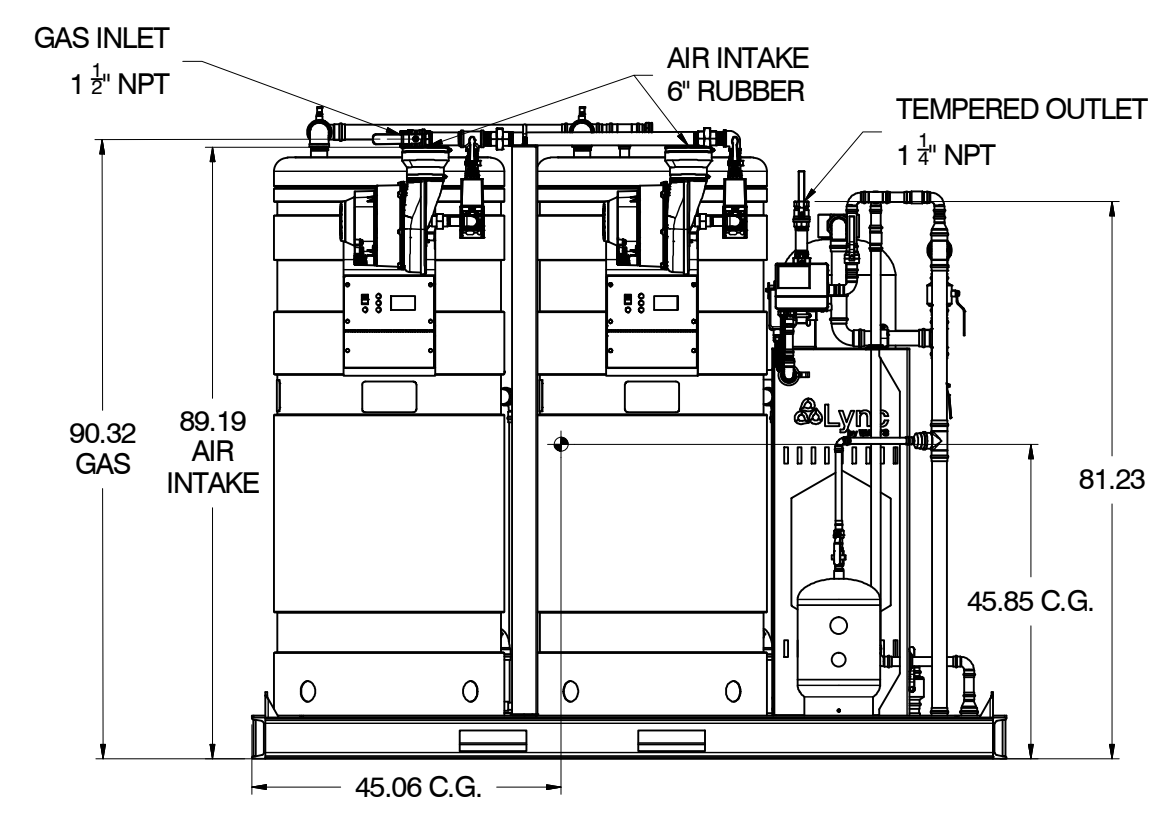


Minimum Clearance from Combustibles	Recommended Service Clearances
Zero clearance from sides and rear of skid, 24" from front of skid, 15" from top.	Zero clearance from rear, 18" from all other sides of skid. Check local and national codes for additional clearance requirements.



- NOTES:**
1. NEUTRALIZER KIT (PROVIDED) AND RELIEF VALVE PIPED TO DRAIN BY CONTRACTOR.
 2. LYNC RESERVES THE RIGHT TO MODIFY DIMENSIONS WITHOUT PRIOR NOTICE.
 3. PIPING LOCATIONS ARE APPROXIMATE. FINAL DIMENSIONS MAY VARY DUE TO MANUFACTURING TOLERANCES.
 4. DO NOT RIG FROM SYSTEM PIPING.

Lync by **WATTS** Blauvelt, NY
Fort Worth, TX
www.lyncbywatts.com

TITLE: DIMENSIONAL DRAWING FOR LC-Q-1800 & -2000, 2-UNIT SERIES

DWN.BY HCR	DATE 4/8/2021	DWG. NO. SD-L-1230	REV. -
SCALE NTS		SHEET 1 OF 1	
REV.BY	DATE		