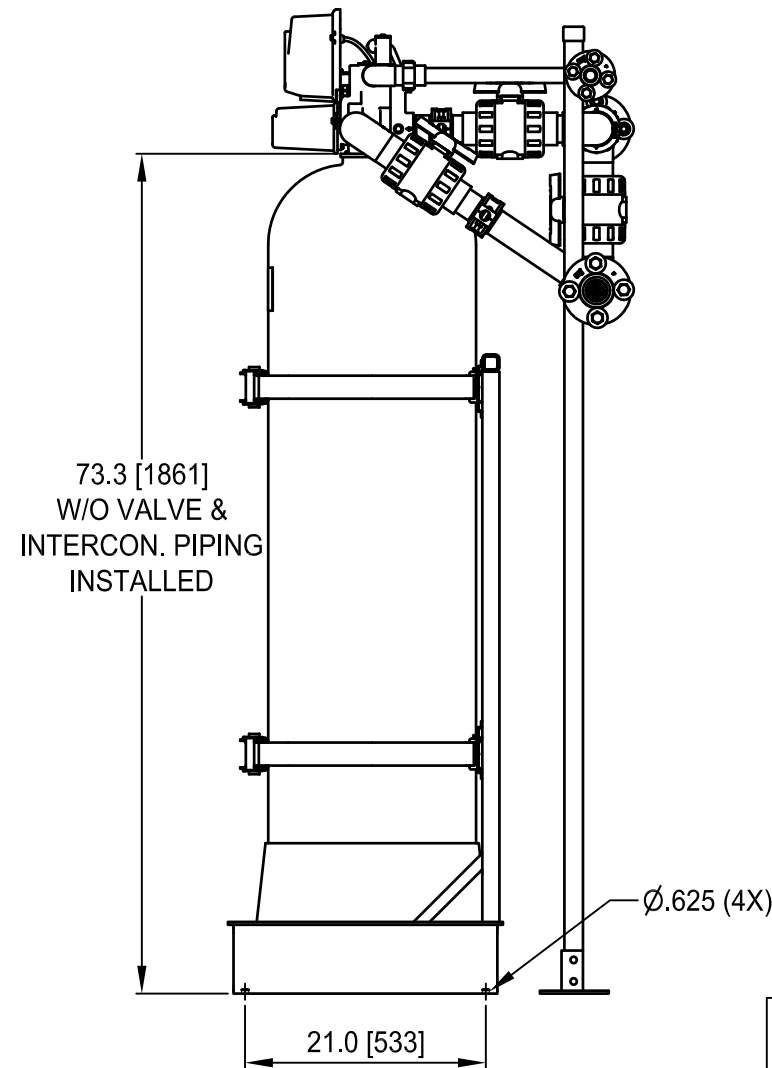
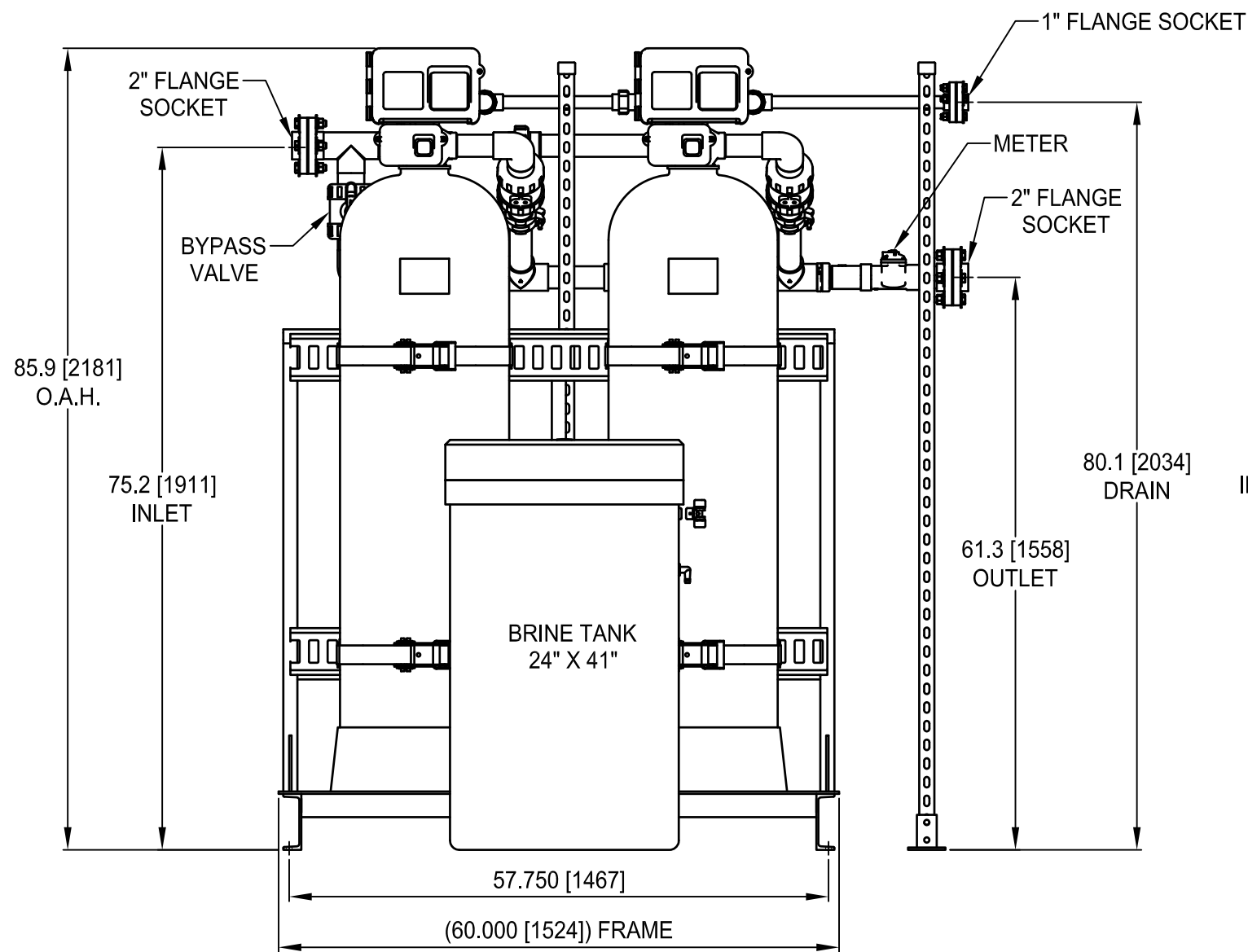


ISOMETRIC VIEW
FOR REFERENCE ONLY



NOTES:
 1. ALL DIMENSIONS SHOWN ARE IN INCHES [MILLIMETERS].
 1. ALL CALLOUTS ENCLOSED IN PARENTHESES () OR UNDERLINED ARE FOR REFERENCE ONLY.

		Fort Worth, TX www.lyncbywatts.com	
TITLE WQSF-025-N DIMENSIONAL DRAWING			
DWN.BY <u>K.S.</u>	DATE <u>092721</u>	DWG. NO.: AP-L-1067	REV A
SCALE <u>NTS</u>	REV.BY _____ DATE _____		
		SHEET 1 OF 1	