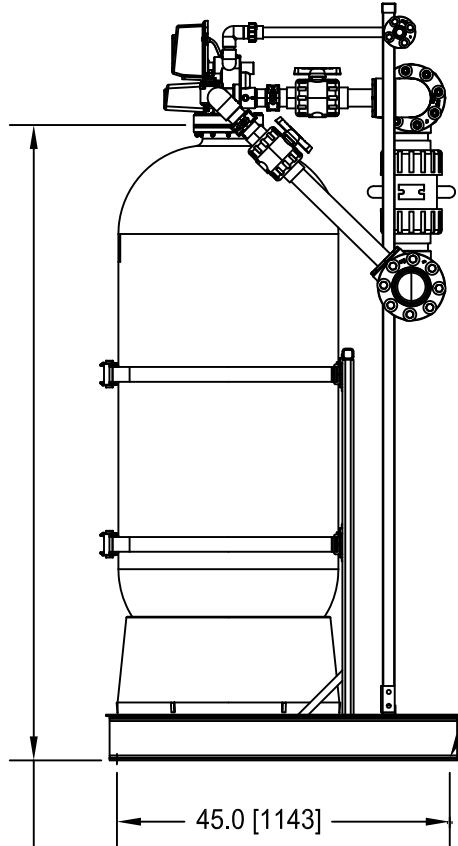
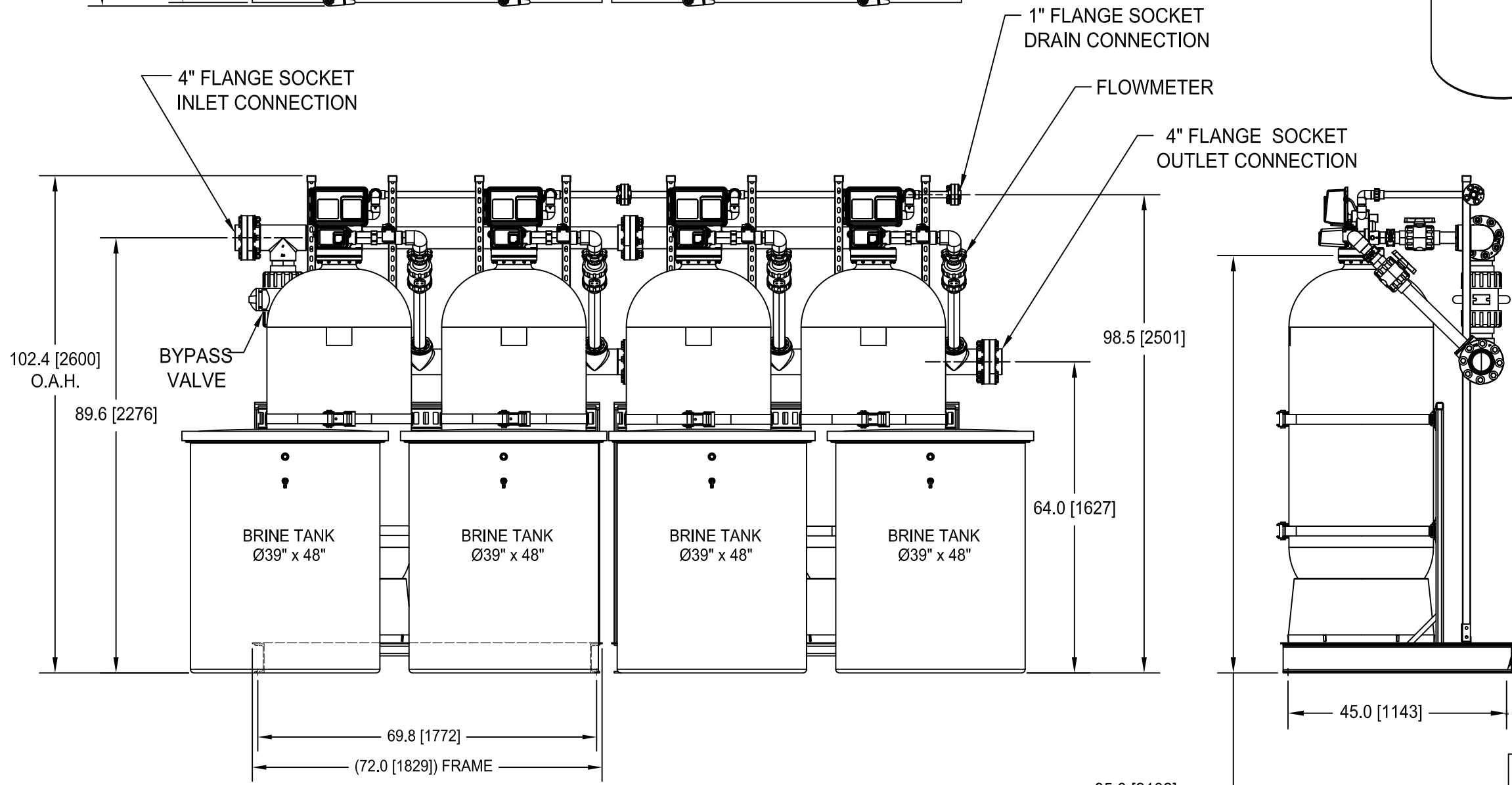


ISOMETRIC VIEW
FOR REFERENCE ONLY



Ø.625 (8X)

45.0 [1143]

85.9 [2182]
W/O VALVES
INTERCON. PIPING
INSTALLED

NOTES:
1. ALL DIMENSIONS SHOWN ARE IN INCHES [MILLIMETERS].
1. ALL CALLOUTS ENCLOSED IN PARENTHESES () OR UNDERLINED ARE FOR REFERENCE ONLY.

		Fort Worth, TX www.lyncbywatts.com	
TITLE WQSF-300-N DIMENSIONAL DRAWING			
DWN.BY <u>K.S.</u>	DATE <u>050922</u>	DWG. NO.: AP-L-1084	REV A
SCALE <u>NTS</u>	REV.BY _____	DATE _____	SHEET 1 OF 1