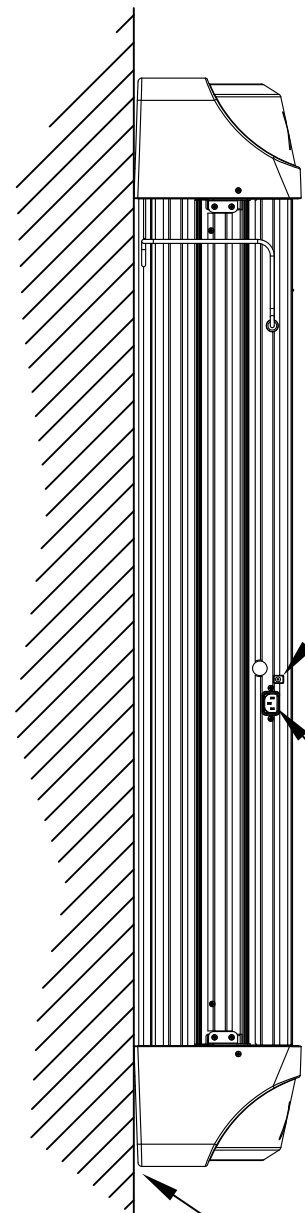


TO MOUNT USE
#12 OR 1/4" DIA. SCREWS
(4) PLACES

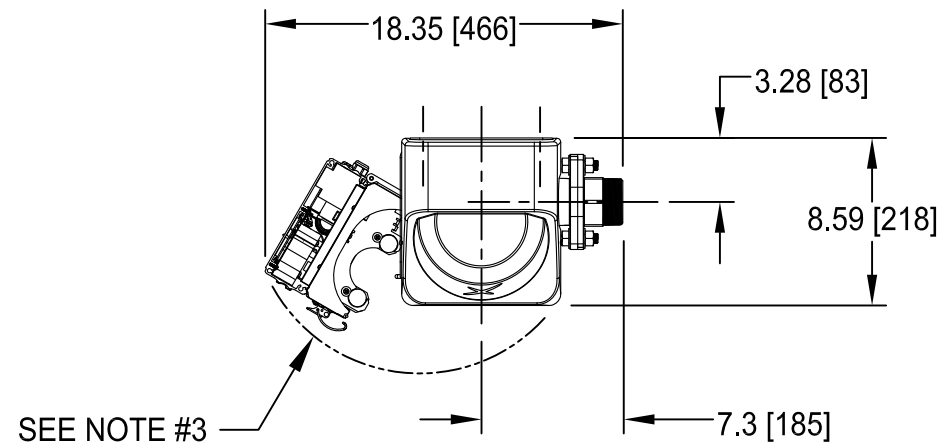
REAR VIEW SHOWN
MOUNTING HOLES



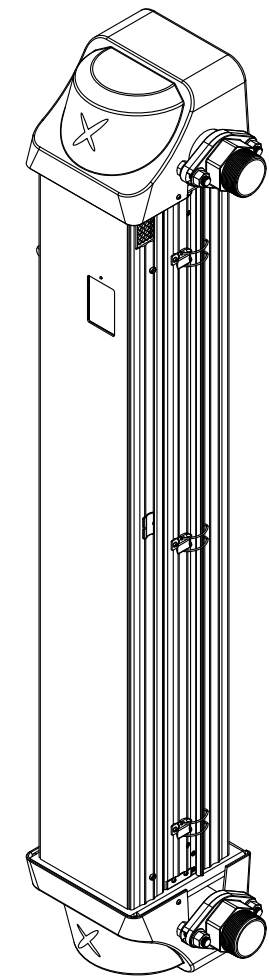
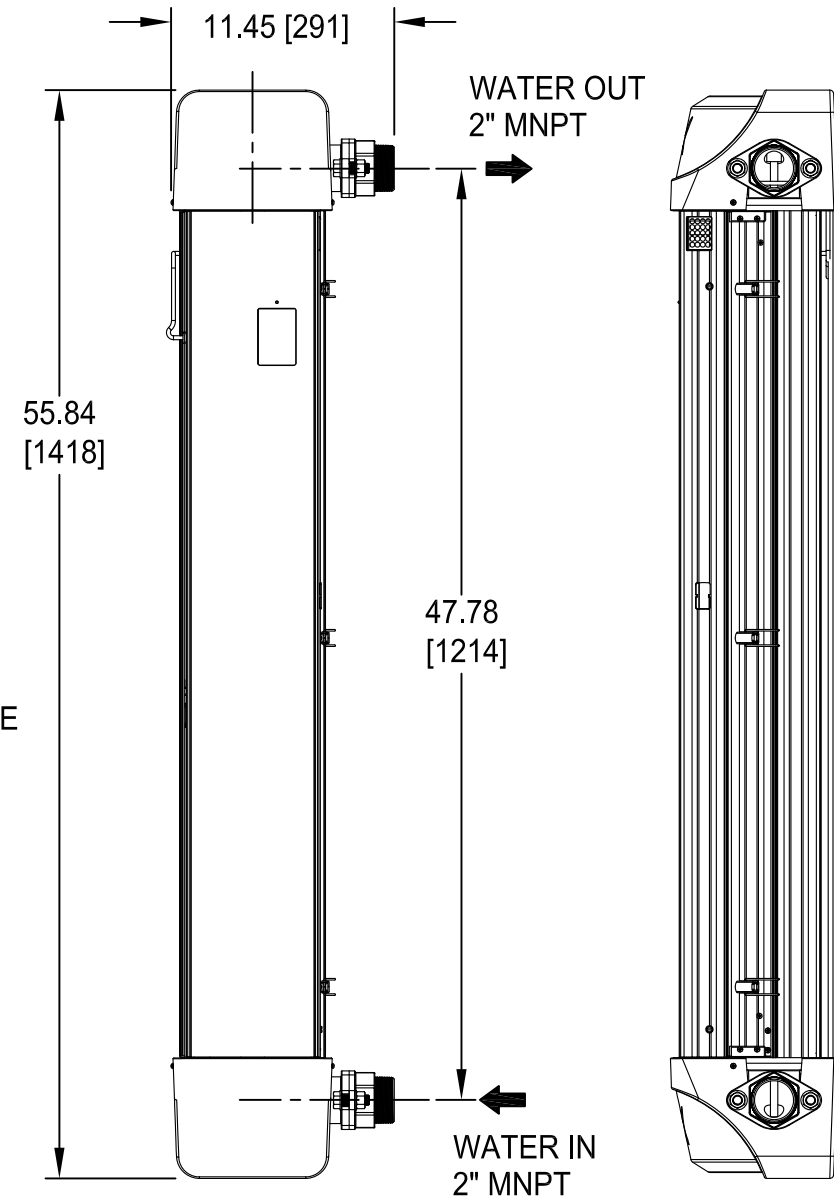
CONNECT FOR
OPTICAL
AUTOMATIC
SHUTOFF VALVE

CONNECT FOR
POWER CORD
SEE NOTE #4

SEE NOTE #2



SEE NOTE #3



ISOMETRIC VIEW

NOTES:

1. ALL DIMENSIONS SHOWN ARE IN INCHES [MILLIMETERS].
2. UNIT TO BE MOUNTED VERTICALLY ON A SOLID WALL.
3. FRONT PANEL SWINGS OPEN TO LEFT FOR UV LAMP REPLACEMENT.
4. UNIT TO BE PLUGGED IN GROUND-FAULT-CIRCUIT-INTERRUPTER (GFCI).



Fort Worth, TX
www.lyncbywatts.com

TITLE		UV-H - 1000 MODEL DIMENSIONAL DRAWING	
DWN.BY	K.S.	DATE	040523
SCALE	NTS	REV.BY	DATE
		DWG. NO.: AP-L-1087	
		SHEET 1 OF 1	
			REV A