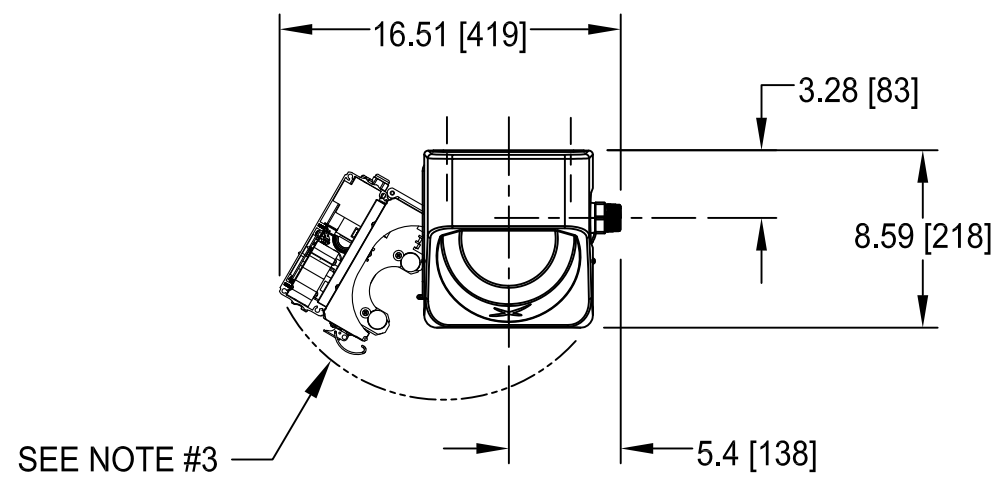
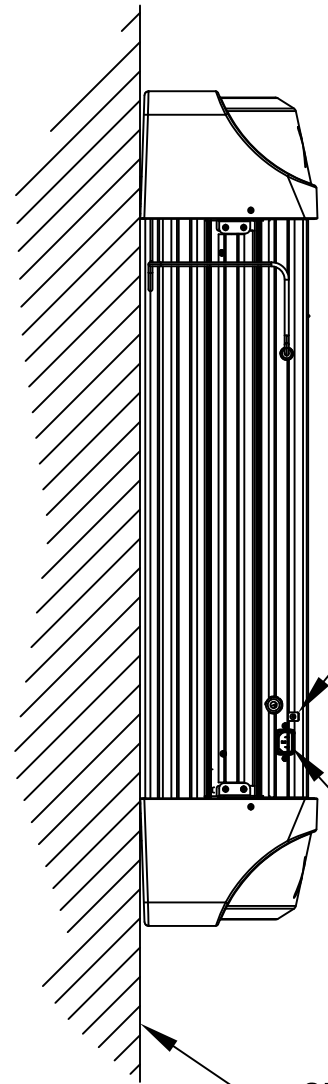


TO MOUNT USE  
#12 OR 1/4" DIA. SCREWS  
(4) PLACES

REAR VIEW SHOWN  
MOUNTING HOLES



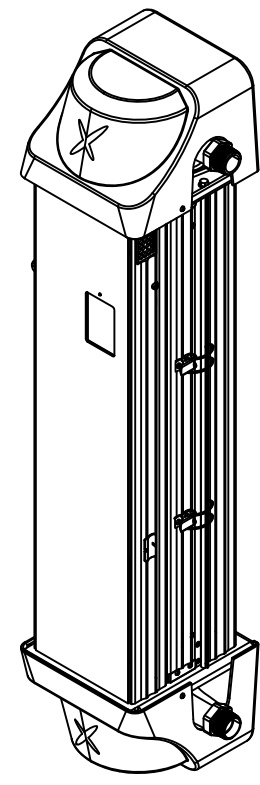
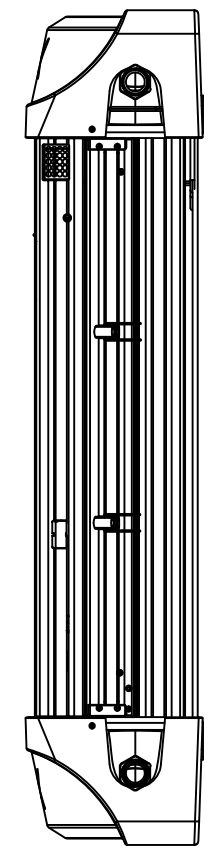
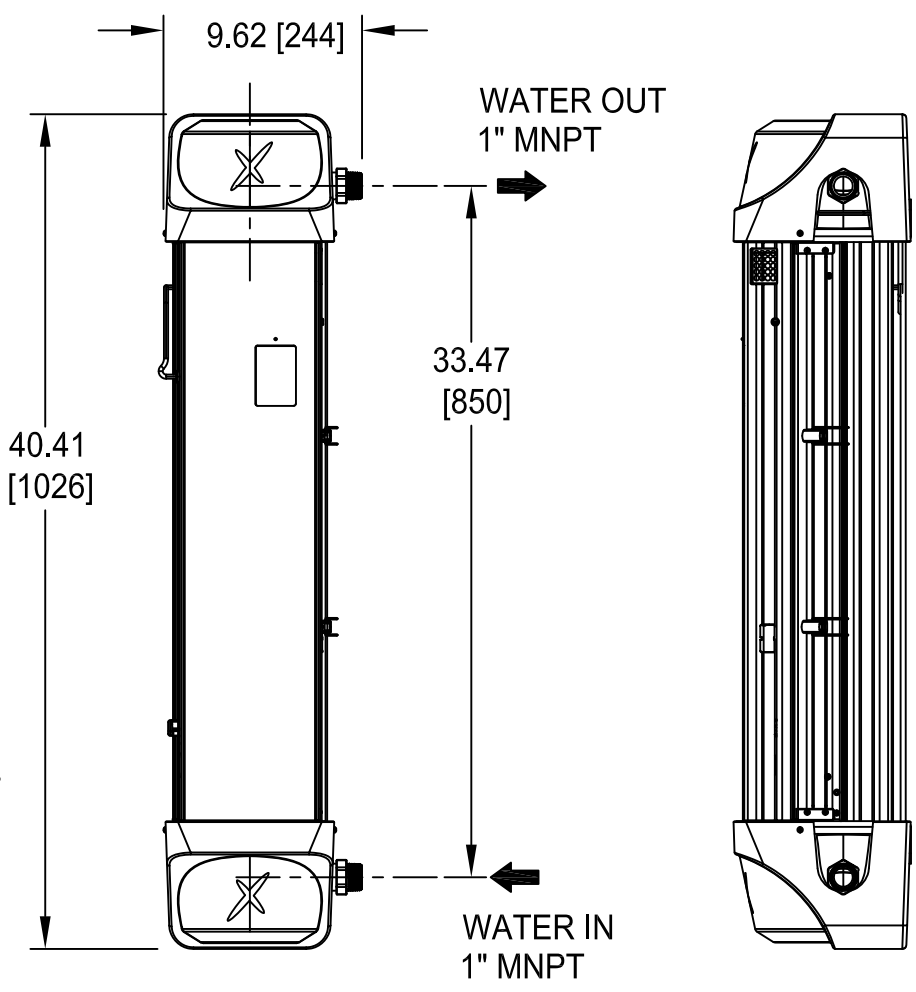
SEE NOTE #3



CONNECT FOR  
OPTICAL  
AUTOMATIC  
SHUTOFF VALVE

CONNECT FOR  
POWER CORD  
SEE NOTE #4

SEE NOTE #2



ISOMETRIC VIEW

- NOTES:
1. ALL DIMENSIONS SHOWN ARE IN INCHES [MILLIMETERS].
  2. UNIT TO BE MOUNTED VERTICALLY ON A SOLID WALL.
  3. FRONT PANEL SWINGS OPEN TO LEFT FOR UV LAMP REPLACEMENT.
  4. UNIT TO BE PLUGGED IN GROUND-FAULT-CIRCUIT-INTERRUPTER (GFCI).

		Fort Worth, TX <a href="http://www.lyncbywatts.com">www.lyncbywatts.com</a>	
TITLE		<b>UV-H - 750 MODEL DIMENSIONAL DRAWING</b>	
DWN.BY <u>K.S.</u>	DATE <u>041723</u>	DWG. NO.: <b>AP-L-1089</b>	REV <b>A</b>
SCALE <u>NTS</u>	REV.BY _____ DATE _____		
		SHEET 1 OF 1	