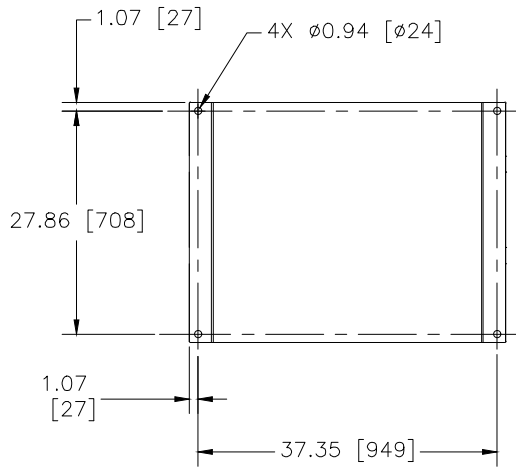


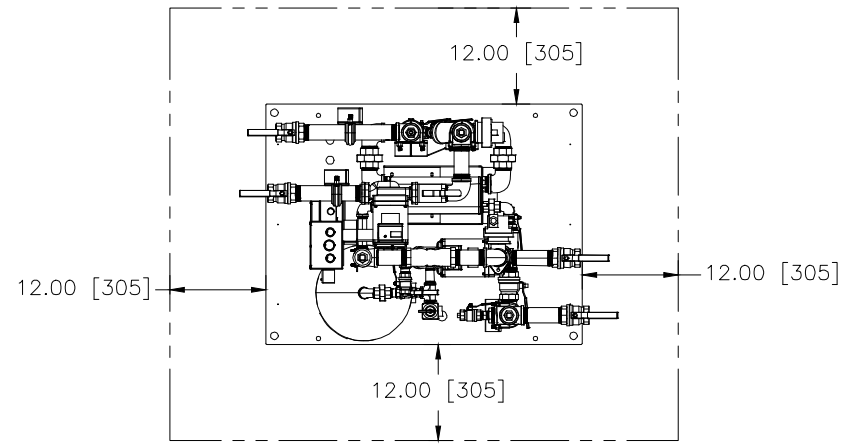
| TECHNICAL DATA | |
|--|---|
| UNIT WEIGHT (Lb/Kg) | 370 / 167.8 |
| SHIPPING WEIGHT (Lb/Kg) | 470 / 213.2 |
| UNIT DIMENSIONS L X W X H (in/mm) | 39.50 X 31.00 X 57.26 (1003 X 762 X 1454) |
| SHIPPING DIMENSIONS L X W X H (in/mm) | 48 X 41 X 66 (1219 X 1041 X 1676) |
| HX SURFACE AREA (ft ² /m ²) | 60.5 / 5.62 |
| PRIMARY LOOP, MAWP (PSI/KPa) | 150 / 1034.21 |
| DHW SIDE, MAWP (PSI/KPa) | 150 / 1034.21 |
| ELECTRICAL DATA ON PRIMARY PUMP | 115VAC 60Hz W/ 2.4A |
| ELECTRICAL DATA ON SECONDARY PUMP | 115VAC 60Hz W/ 2.4A |

NOTES:
 1) ALL DIMENSIONS SHOWN ARE IN INCHES (MILLIMETERS).
 2) LYNCE RESERVES THE RIGHT TO MODIFY DIMENSIONS WITHOUT PRIOR NOTICE.

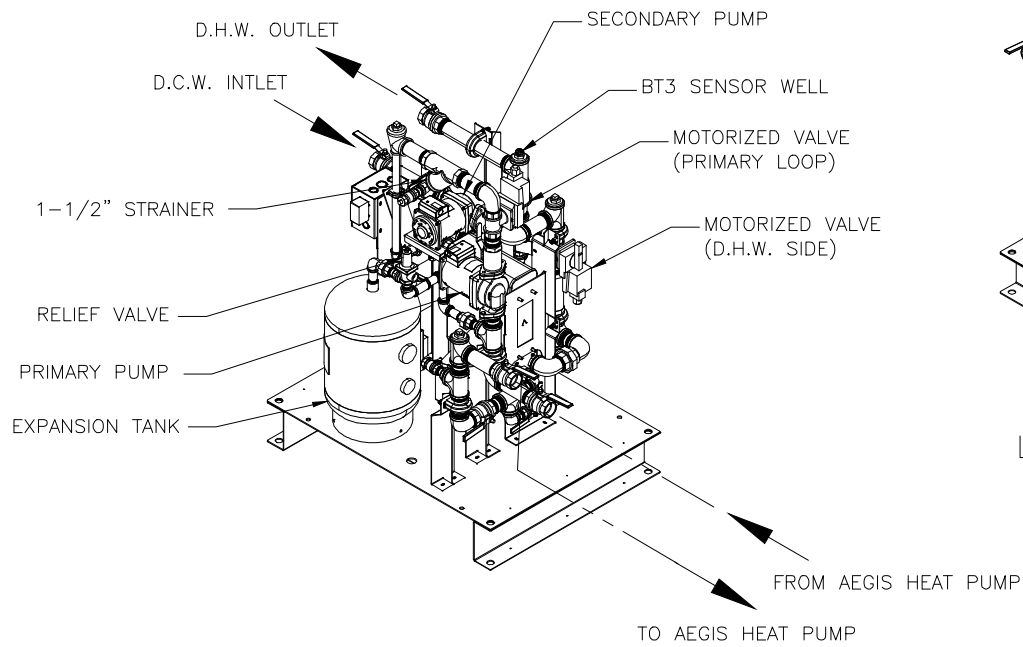
| | | |
|--|--|-----------|
| | Blauvelt, NY Fort Worth, TX | |
| | AEGIS MK II SINGLE HEAT EXCHANGER MODULE DIMENSIONAL/CLEARANCE DRAWING | |
| DWN.BY <u>K.S.</u> DATE <u>041723</u> SCALE <u>NTS</u> REV.BY <u>K.S.</u> DATE <u>091624</u> | AP-L-1088 (SHEET 1 OF 2) | REV. D |



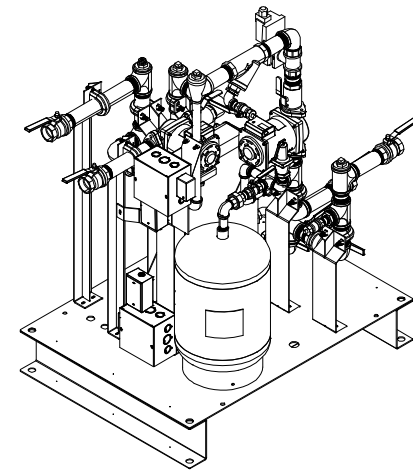
ANCHOR BOLT LOCATIONS



RECOMMENDED CLEARANCE



RIGHT SIDE ISO VIEW



LEFT SIDE ISO VIEW

| | | |
|--|-----------------------------|--------------------------------|
| | | Blauvelt, NY Fort Worth, TX |
| AEGIS MK II SINGLE HEAT EXCHANGER MODULE DIMENSIONAL/CLEARANCE DRAWING | | |
| DWN.BY <u>K.S.</u> DATE <u>041723</u> SCALE <u>NTS</u> REV.BY _____ DATE _____ | AP-L-1088 (SHEET 2 OF 2) | REV. D |