
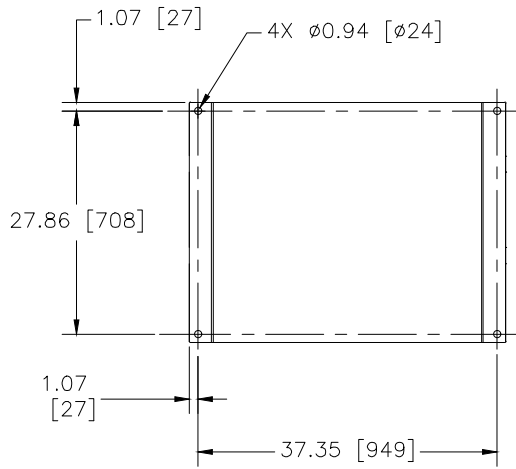


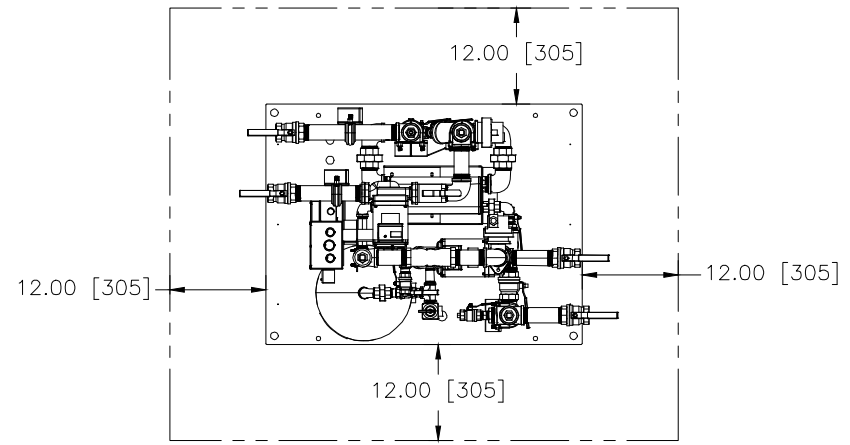
TECHNICAL DATA	
UNIT WEIGHT (Lb/Kg)	548 / 249
SHIPPING WEIGHT (Lb/Kg)	639 / 290
UNIT DIMENSIONS L X W X H (in/mm)	39.50 X 30.00 X 49.34 (1003 X 762 X 1253)
SHIPPING DIMENSIONS L X W X H (in/mm)	48 X 41 X 66 (1219 X 1041 X 1676)
HX SURFACE AREA (ft ² /m ²)	60.5 / 5.62
PRIMARY LOOP, MAWP (PSI/KPa)	150 / 1034.21
DHW SIDE, MAWP (PSI/KPa)	150 / 1034.21
ELECTRICAL DATA ON PRIMARY PUMP	115VAC 60Hz W/ 4.7A
ELECTRICAL PUMP ON SECONDARY PUMP	115VAC 60Hz W/ 2.1A

NOTES:
 1) ALL DIMENSIONS SHOWN ARE IN INCHES (MILLIMETERS).
 2) LYNCE RESERVES THE RIGHT TO MODIFY DIMENSIONS WITHOUT PRIOR NOTICE.

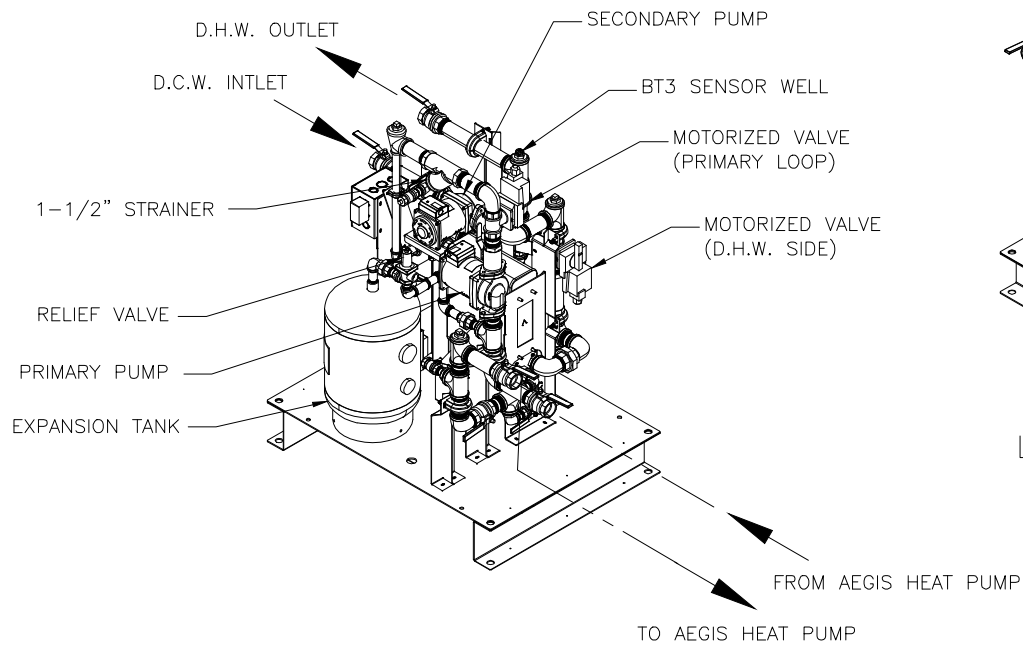
	Blauvelt, NY Fort Worth, TX	
	AEGIS MK II SINGLE HEAT EXCHANGER MODULE DIMENSIONAL/CLEARANCE DRAWING	
DWN. BY <u>K.S.</u> DATE <u>041723</u>	AP-L-1088	REV. F
SCALE <u>NTS</u>		
REV. BY <u>K.S.</u> DATE <u>030925</u>	(SHEET 1 OF 2)	



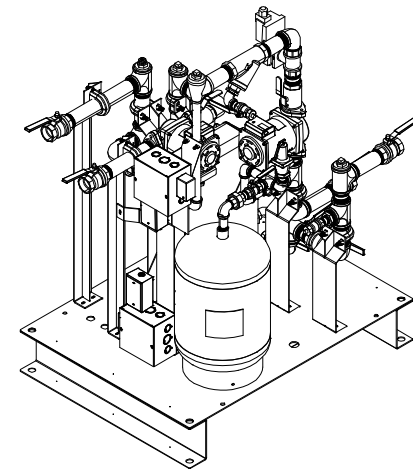
ANCHOR BOLT LOCATIONS



RECOMMENDED CLEARANCE



RIGHT SIDE ISO VIEW



LEFT SIDE ISO VIEW

		Blauvelt, NY Fort Worth, TX
AEGIS MK II SINGLE HEAT EXCHANGER MODULE DIMENSIONAL/CLEARANCE DRAWING		
DWN.BY <u>K.S.</u> DATE <u>041723</u> SCALE <u>NTS</u> REV.BY _____ DATE _____	AP-L-1088 (SHEET 2 OF 2)	REV. F