

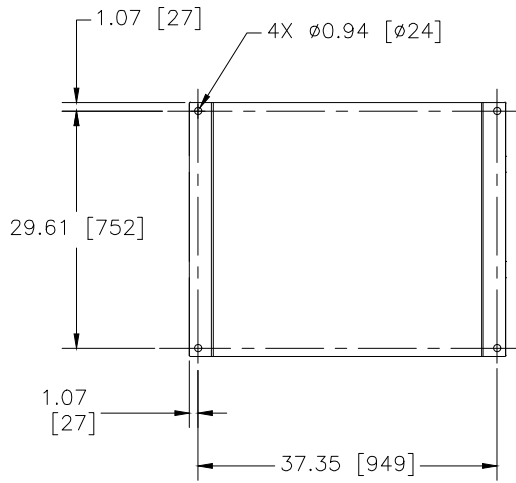
TECHNICAL DATA	
UNIT WEIGHT (Lb/Kg)	633 / 287
SHIPPING WEIGHT (Lb/Kg)	725 / 329
UNIT DIMENSIONS L X W X H (in/mm)	39.50 X 31.75 X 57.40 (1003 X 806 X 1458)
SHIPPING DIMENSIONS L X W X H (in/mm)	48 X 41 X 66 (1219 X 1041 X 1676)
HX SURFACE AREA (ft ² /m ²)	121 / 11.24
PRIMARY LOOP, MAWP (PSI/KPa)	150 / 1034.21
DHW SIDE, MAWP (PSI/KPa)	150 / 1034.21
ELECTRICAL DATA ON PRIMARY PUMP	115VAC 60Hz W/ 4.7A
ELECTRICAL DATA ON SECONDARY PUMP	115VAC 60Hz W/ 2.1A

NOTES:
 1) ALL DIMENSIONS SHOWN ARE IN INCHES (MILLIMETERS).
 2) LYNCE RESERVES THE RIGHT TO MODIFY DIMENSIONS WITHOUT PRIOR NOTICE.

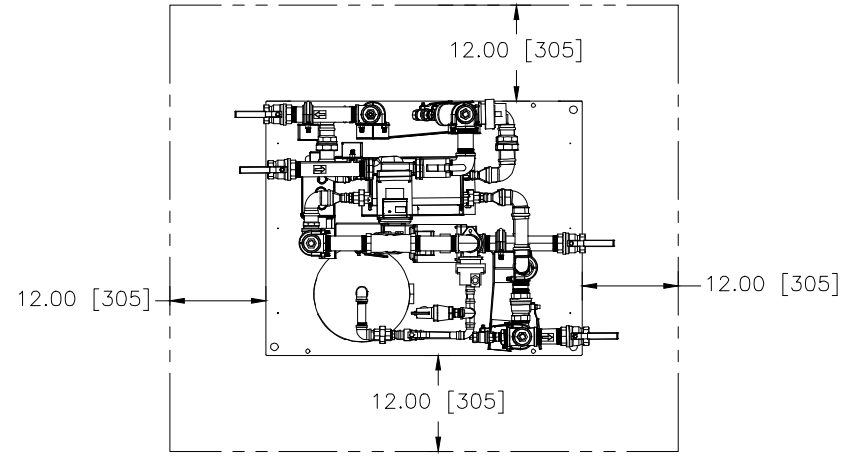
Lynce by WATTS Blauvelt, NY
 Fort Worth, TX

AEGIS MK II
 DUAL HEAT EXCHANGER MODULE
 DIMENSIONAL/CLEARANCE DRAWING

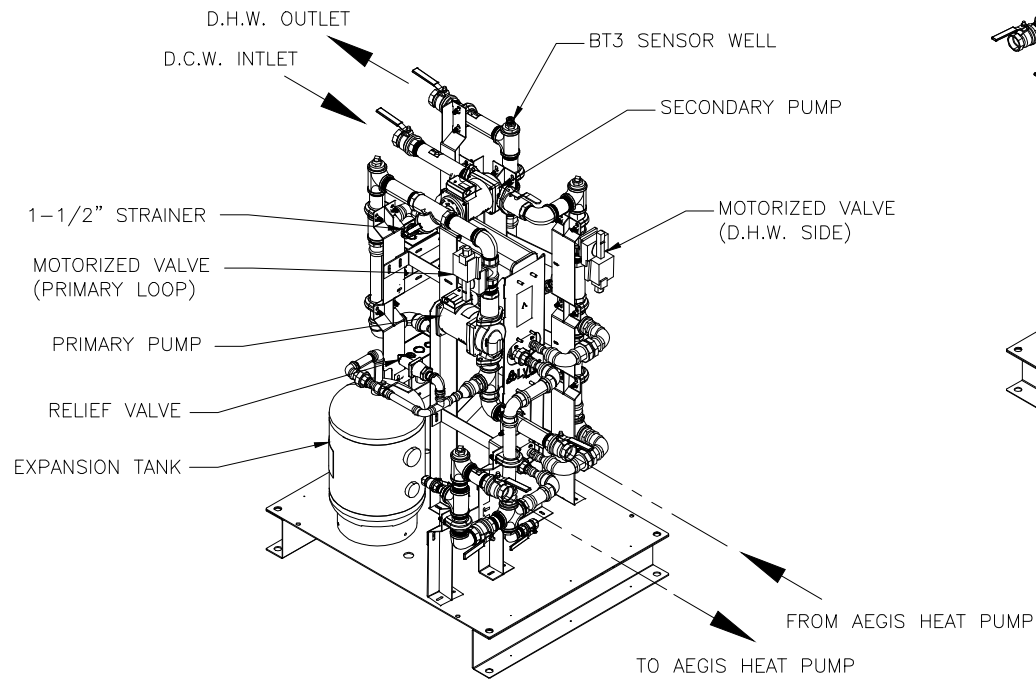
DWN.BY <u>K.S.</u> DATE <u>031323</u>	AP-L-1086 (SHEET 1 OF 2)	REV. F
SCALE <u>NTS</u>		
REV.BY <u>K.S.</u> DATE <u>030925</u>		



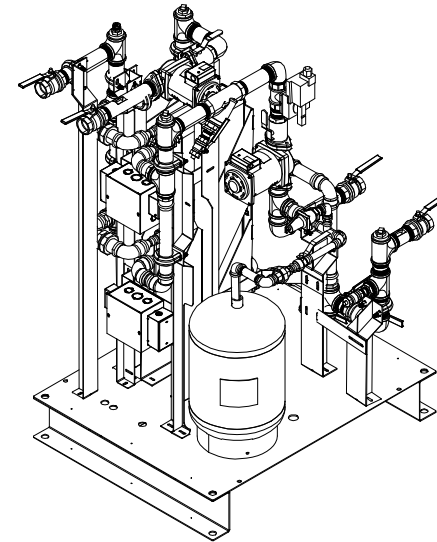
ANCHOR BOLT LOCATIONS



RECOMMENDED CLEARANCE



RIGHT SIDE ISO VIEW



LEFT SIDE ISO VIEW



Blauvelt, NY
Fort Worth, TX

AEGIS MK II
DUAL HEAT EXCHANGER MODULE
DIMENSIONAL/CLEARANCE DRAWING

DWN.BY K.S. DATE 031323
SCALE NTS
REV.BY _____ DATE _____

AP-L-1086
(SHEET 2 OF 2)

REV.
F